



# Unimag+

The domestic single jet

Unimag+ is a new single-jet water meter designed for domestic use, which can be transformed anytime into an advanced communicating device thanks to the application of the whole range of Itron Cyble communicating modules.

## FEATURES AND BENEFITS

- » Accuracy Performance:
  - Stable and long-term accuracy
  - Reduced risk of meter blockage
  - Low starting flow
- » Suitable for all installations and use:
  - Compact, short length
  - Cold and hot water
  - Composite and brass bodies
- » Robustness to tampering:
  - Enhanced magnetic and mechanical protection
- » Pre-equipped for communication:
  - Radio mobile and fixed network
  - Wired pulse and M-bus output

## The Technology

Unimag+ is a velocity meter with turbine single-jet principle combined with the well-known Itron extra-dry register technology. No parts of the register are in contact with the water flow.

## Metrological Performance

The meter exceeds the MID accuracy Ratio 100 for horizontal position, and keeps R63 for vertical position.

Excellent accuracy at low flow rate, with a low starting flow value to detect little leakages.

## New features

- » The hydraulic, with double pivoting principle has been conceived to increase the resistance against particles and deposit and assure more constant accuracy over time. With more error curve stability, Unimag+ is able to count flow rates below 8 l/h, thanks to frictionless materials used for bearings and contacts.
- » The body is available in composite and brass materials to answer different customer requirements. For both, the Itron severe internal and field validation protocols assure equivalent robustness to high network pressure (PN16 bar), water hammers, external environmental conditions and high water temperatures.
- » The meter is protected by magnetic tampering interferences through a design which has been validated against most known standardized magnets. Additional magnetic shielding is available as option.
- » A security ring has been placed under the cap to provide better resistance and more evidence to mechanical fraud tampering
- » The meter closure with shock-resistant plastic material is suitable for easy marking and customization.

- » A wide lid is available to preserve the index reading.
- » Three robust fixation points to fit the Itron AMR/AMI modules

## Easy reading

- » Clear and high contrast serial number
- » 360° possible rotation of the register for comfortable reading in any position
- » 8 numbered rollers with high contrast for easy and error-free reading up to 99,999,999 m<sup>3</sup>

## Compliance with Standards

- » Metrology, approved according to:
  - MID - 2014/32/EU
  - ISO 4064
  - EN 14154
- » Materials
  - Unimag+ use certified materials specific for contact with potable water (ACS-FRA, KIWA-NL, KTW-DE)
  - All meter materials are compliant with RoHS normative.
- » Manufacturing, 100 percent manufactured in the EEC
  - ISO 9001
  - ISO 14001
  - MID H1

**PRODUCT CHARACTERISTICS**

Unimag+ is composed of two main sections: the hydraulic part that allows the measurement of the water flow and the register that totalizes and displays the measured water volume.

The transmission between the two parts is achieved by magnetic coupling, without any mechanical connection between the wet and the dry parts.



**Brass Case**

- Compliant with DIN normative for low lead brass (DIN50930-6:2013-10).
- Material traceability.

**Extra Dry**  
All gears and rollers are enclosed inside the hermetically sealed case. No moving parts except the turbine are in contact with the water

**Safe reading**  
Eight numbered rollers to ensure easy and error-free reading

**Pre-Equipment**  
The proven Cyble target allows the meter to be integrated into a remote reading system by applying the relevant Cyble module

Three robust fixation points for communication modules

**Mechanical Detection**  
Red ring provide an high resistance to mechanical tampering

**Magnetic Shield**  
Enhanced protection against external magnetic fields

**Enhanced Hydraulics**  
- Double pivoting increases resistance to sand and particles  
- Turbine rotation more balanced  
- No individual curve adjustment

**Meter Case**  
Available in brass and composite material

**Filter**



**Composite Case**

**KEY ADVANTAGES OF COMPOSITE MATERIAL**

- » Lighter (30 percent less of brass) and Ergonomic
- » More suitable to be used with potable water (lead free)
- » Not affected by corrosion (dezincification immunity)
- » Theft deterrent

**MATERIAL CHARACTERISTICS**

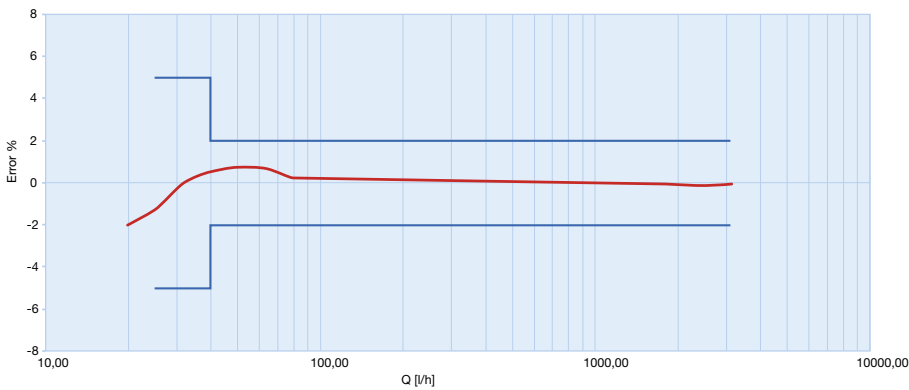
- » Polymer fiber glass reinforced
- » High resistance to chemicals
- » High dimensional stability to temperature
- » Robustness to handling and installation

## Technical characteristics

Nominal diameter (DN)	mm	15	20
MID approval		LNE - 33564	
Water Temperature Range (T)	°C	T30 - T50	T30/90 - T90
MID Metrology class (horizontal) (Q3/Q1)		80	63
MID Metrologica Ratio (other positions)*		40*	40*
Permanent Flow Rate (Q3)	m³/h	1.6	1.6
Overload Flow Rate (Q4)	m³/h	2	2
Minimum Flow Rate (Q1)	L/h	20	25.40
Transitional Flow Rate (Q2)	L/h	32	40.63
Starting Flow Rate	L/h	<8	
Max Pressure Loss Class at Q3	bar	0.25	0.25
Maximum Admissible Pressure MAP	bar	16**	
Indicating Range	m³/h	99999.999	
Minimum Scale Interval	L	0.05	
Mechanical Environment Class		M1 / B***	
Climatic Environment	°C	-25°C.... +70°C	
Flow Sensitivity Class U0/D0		U0/D0	
Pre-equipment for communication		Itron Full Set of Communication Devices	

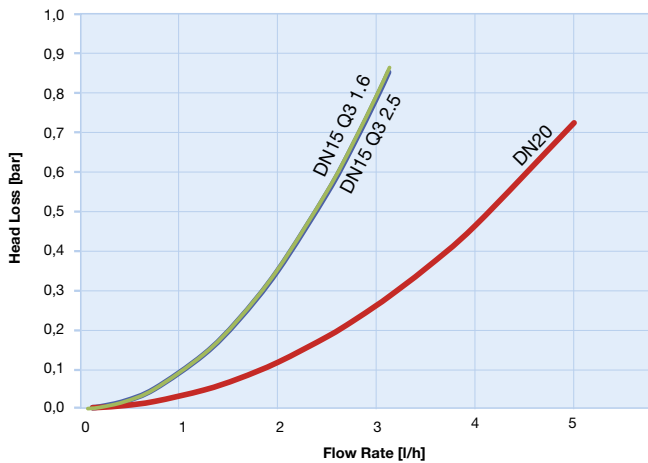
\* According to ISO4046:2017 | \*\* MAP10 for hot water composite body | \*\*\* B according to EN14154-1:2005+A2:2011

### TYPICAL ACCURACY CURVE Q3=2,5 m³/h - R100



Unimag+ Cold water version

### HEAD LOSS



Unimag+ Warm water version

## Dimensions

Nominal diameter (DN)	mm	15 Brass						15 Composite		20 Brass	
		80	100	105	110	115	130	80	110	115	130
Meter Thread		G 3/4"	G 3/4" - M22	G 3/4"	G 3/4"	G 3/4" - G 7/8"	G 3/4" - G 1"	80	110	115	130
A1	mm	37	49	54	59	64	74.3	37	59	59.3	74.3
A2	mm	43	51	51	51	51	55.7	43	51	55.7	55.7
B	mm				93			93		93	
C	mm				84			86		85	
D	mm				127			129		128	
E	mm				69			69		69	
F	mm				112			112		112	
G	mm				77			77		77	

\* For other lengths, contact your local Itron representative

## COMMUNICATION

The Unimag+ is ready to be equipped with the proven Cyble technology, allowing it to mount Cyble modules at any time in field, enabling instantaneously the remote communication function.

This opens the meters up to a large range of advanced and reliable AMR systems:

- » Radio walk-by systems
- » Radio fixed data collection systems
- » M-Bus wire systems
- » Any other system based on universal pulse outputs



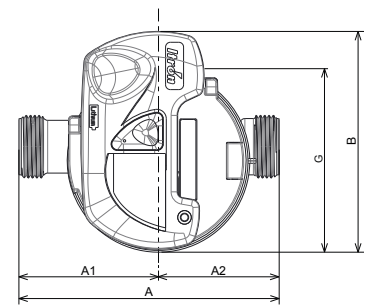
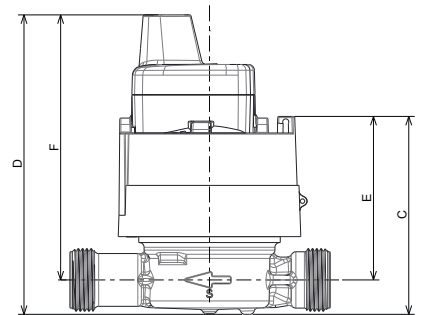
Cyble RF (wireless, radio frequency)



Cyble M-Bus



Cyble sensor (pulse output)



Unimag+ Composite cold water equipped with EverBlu cyble

## ACCESSORIES

- » Brass connection set
- » Liner extensions
- » Non-return valve
- » Connection plastic seal



Join us in creating a more **resourceful world**.  
To learn more visit [itron.com](http://itron.com)

While Itron strives to make the content of its marketing materials as timely and accurate as possible, Itron makes no claims, promises, or guarantees about the accuracy, completeness, or adequacy of, and expressly disclaims liability for errors and omissions in, such materials. No warranty of any kind, implied, expressed, or statutory, including but not limited to the warranties of non-infringement of third party rights, title, merchantability, and fitness for a particular purpose, is given with respect to the content of these marketing materials. © Copyright 2019 Itron. All rights reserved. **WA-0113.5-EN-02.19**

## ITRON WATER METERING

Strada Valcossera, 16  
14100 Asti  
Italy

**Phone:** +39 0141 477077  
**Fax:** +39 0141 477177